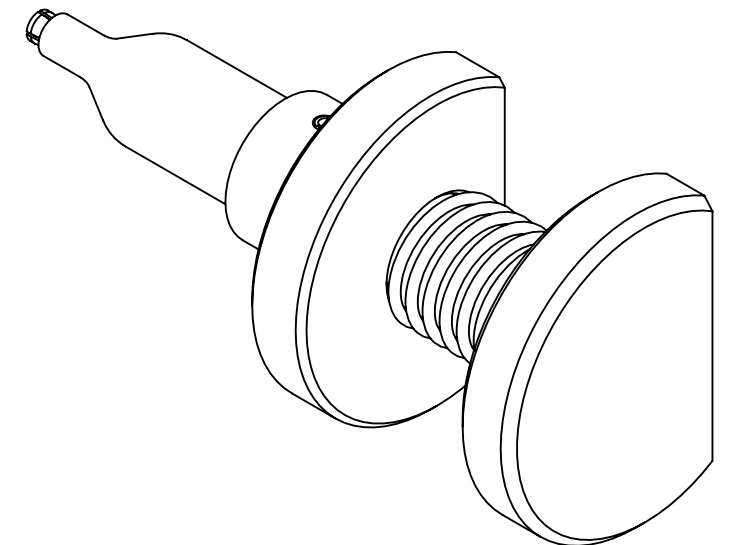
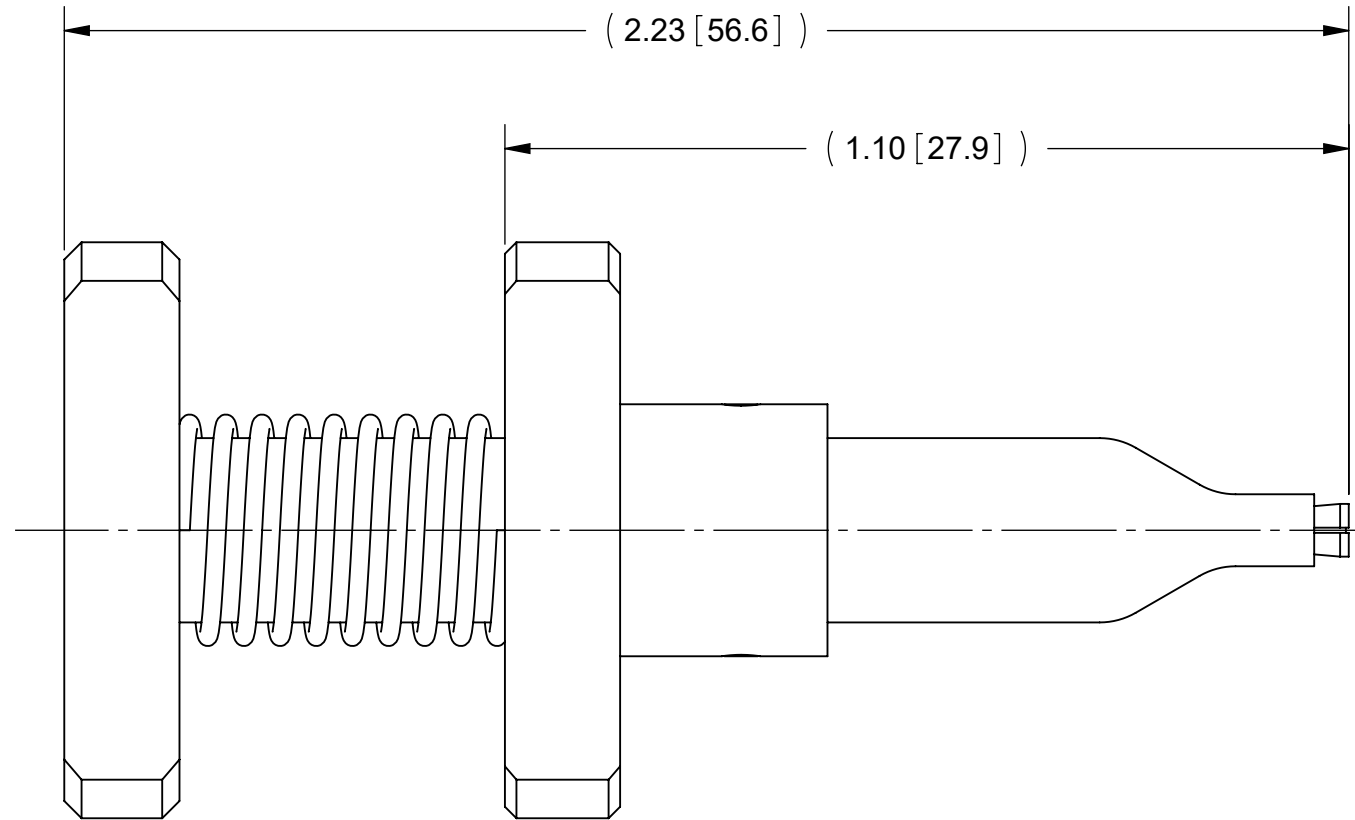
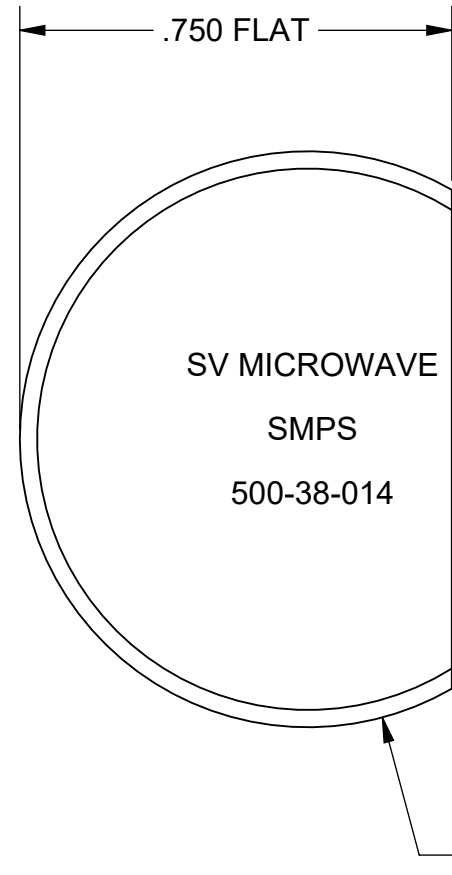


PRODUCT DATA DRAWING

REVISION HISTORY			
REV	DESCRIPTION	DATE	APPROVED
A	DCN 57695	08/25	SEE PDM



MATERIAL:

BODIES: STAINLESS STEEL PER AMS 5640,
ALLOY UNS S30300, TYPE 1
OR ASTM A582 TYPE 303, CONDITION A.

COLLET: BERYLLIUM COPPER PER ASTM B196,
ALLOY No. UNS C17300, TD04

SPRING: STAINLESS STEEL PER ASTM A313, TYPE 302

SPRING PIN: 18-8 STAINLESS STEEL


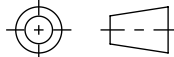
FINISH:

BODIES: PASSIVATED PER AMS-2700 &
ELECTROLESS NICKEL PER AMS 2404 CLASS 1

COLLET: ELECTROLESS NICKEL PER AMS 2404 CLASS1

NOTES:

- THIS TOOL INSERTS AND REMOVES THE SEPARABLE VITA 67.3 SMPS BACKPLANE CONTACT INTERFACE.

MATERIAL: SEE NOTES	DIMENSIONS ARE IN INCHES TOLERANCES: FRACTIONAL: ±1/64 ANGULAR: X° ±1'0" X'X' ±15'	UNLESS OTHERWISE SPECIFIED 1) ALL DIMENSIONS ARE IN INCHES (MILLIMETERS) 2) ALL DIMENSIONS ARE AFTER PLATING. 3) BREAK CORNERS & EDGES .005 R. MAX. 4) CHAM. 1ST & LAST THREADS. 5) SURFACE ROUGHNESS 63-MIL-STD-10. 6) DIA. 'S ON COMMON CENTERS TO BE CONCENTRIC WITHIN .005 T.I.R. 7) REMOVE ALL BURRS	 www.svmicrowave.com TITLE: V67.3 SMPS BULLET REMOVAL TOOL
FINISH: SEE NOTES	DECIMAL: X ±.030 .XX ±.010 .XXX ±.005	INTERPRET DIMENSIONS AND TOLERANCES PER ASME Y14.5M - 1994	
SURFACE AREA: N/A	THIRD ANGLE PROJECTION	DRAWN: JPM 06/20/23	SIZE DWG. NO. B 500-38-014
PROPRIETARY THE INFORMATION CONTAINED IN THIS DRAWING IS THE SOLE PROPERTY OF SV MICROWAVE, INC. ANY REPRODUCTION IN PART OR AS A WHOLE WITHOUT THE WRITTEN PERMISSION OF SV MICROWAVE, INC IS PROHIBITED.		CHECKED: SEE PDM	SCALE: 3:1
		APPROVED: SEE PDM	SHEET 1 OF 1